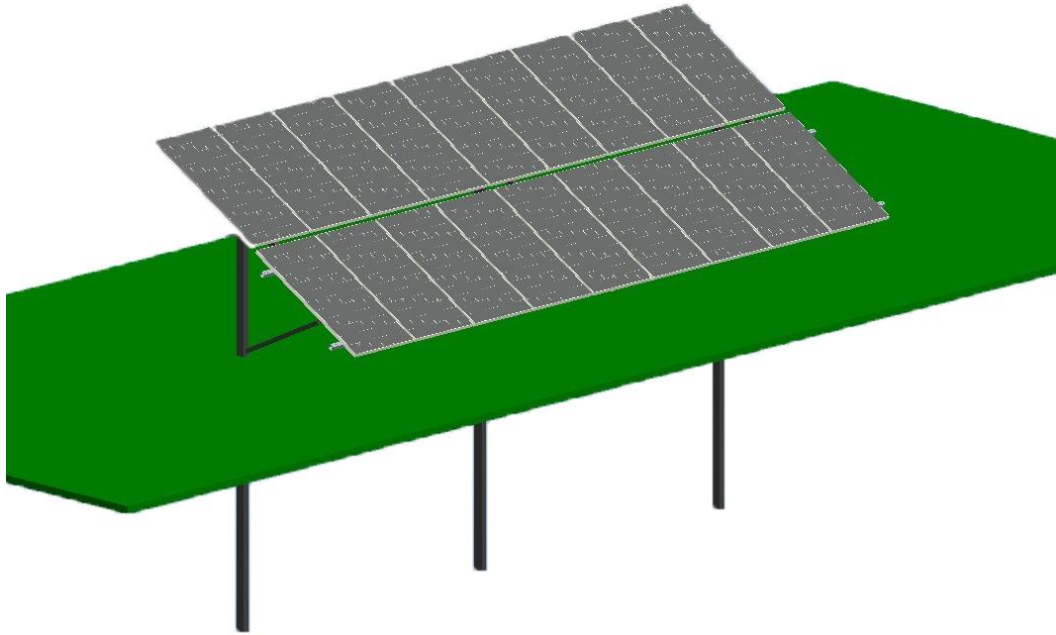


SPAS Mount Product Sheet



SPAS Mount is used for an open terrain environment and can be installed on a large scale. Taking environmental factors into consideration such as wind, snow, etc., the SPAS Mount is built with high quality, durable materials, which guarantee an extended product life-cycle. Pre-assembled parts allow for quick and easy installation.

The major components are made from hot-dip galvanized steel. The connection components are made from stainless steel, which helps ensure an extended product life-cycle.

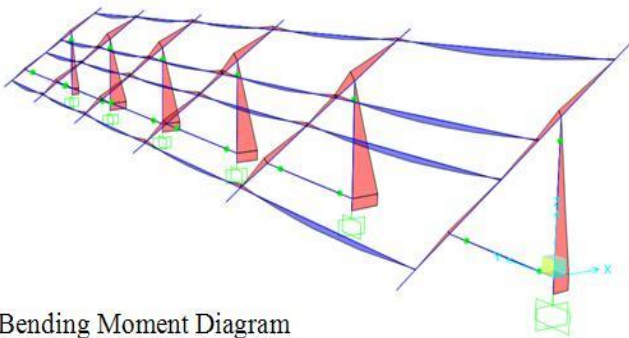
Applications

SPAS mount is mainly utilized for:

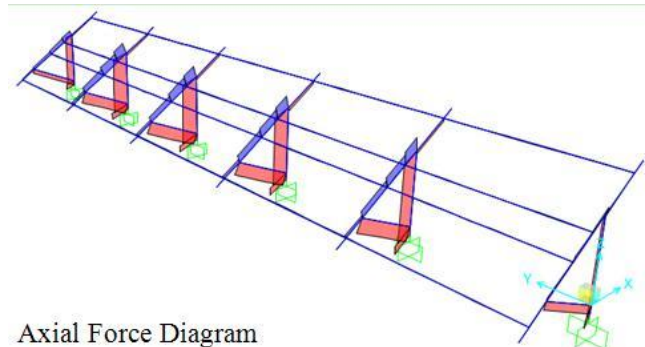
- * Large scale commercial or utility projects
- * Varying kinds of terrain, including difficult terrain conditions such as gravel and stones.
- * All kinds of solar panels with or without frames

Key Features

* Well-designed in accordance with SAP2000.



Bending Moment Diagram

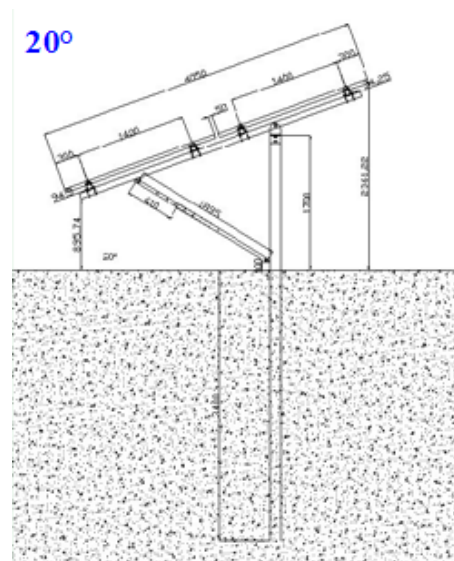
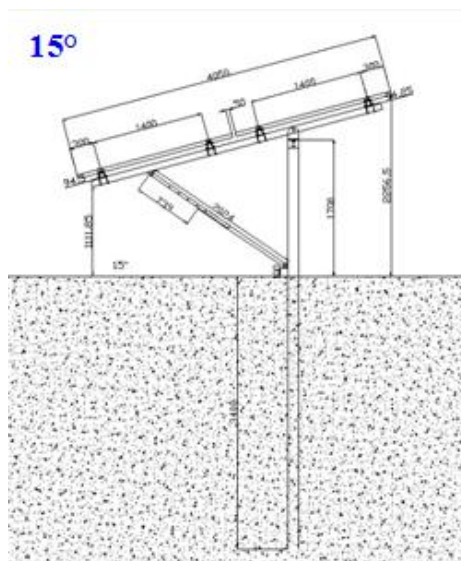


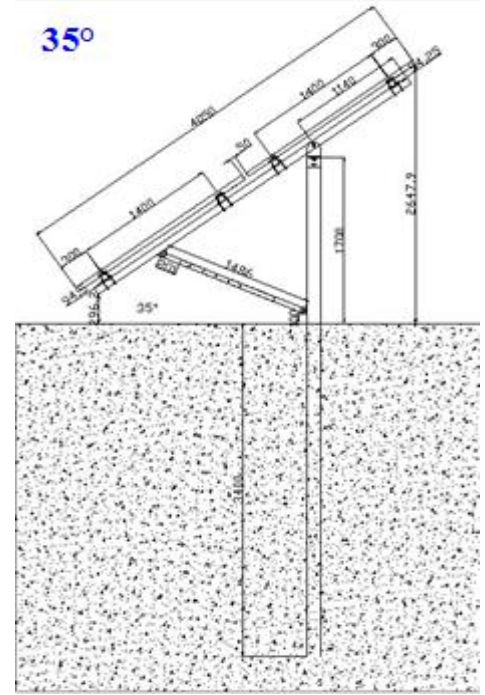
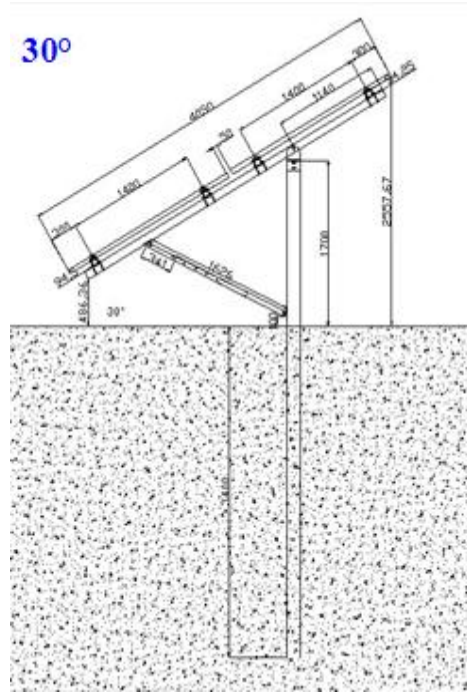
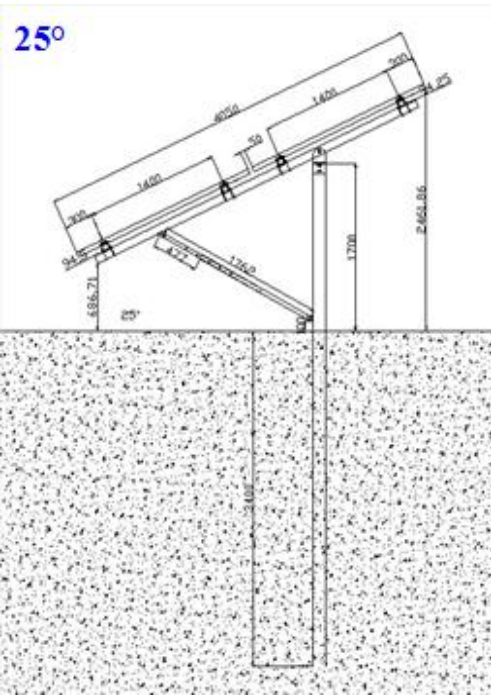
Axial Force Diagram

- * Cost effective and highly durable.
- * Maximizes flexibility — utilization of U-bolts eliminates the limitation of installing solar modules with rectangular rails.
- * Pre-assembled support units save installation time.
- * Suitable for any type of solar module.

Project planning

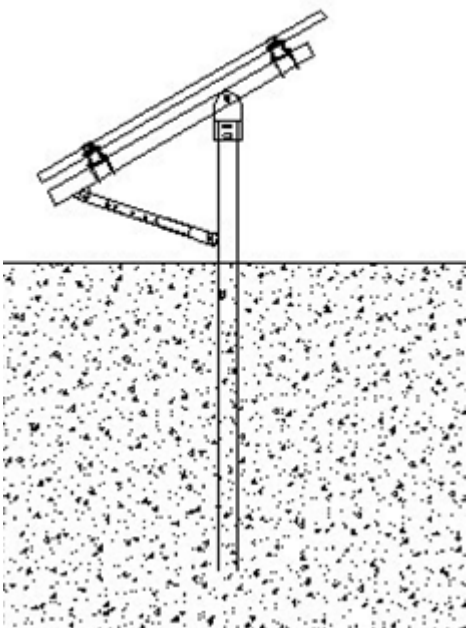
There are five angles available in our SPAS mount – 15°, 20°, 25°, 30° and 35°. Choose the best angle according to your location.



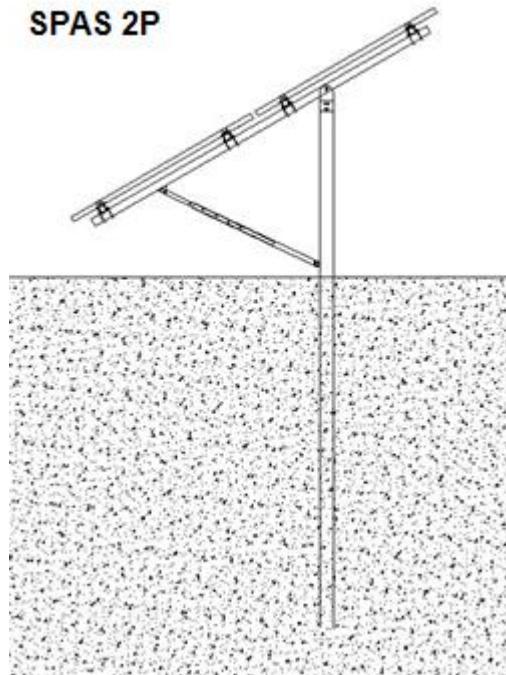


Mounting options

SPAS 1P



SPAS 2P



Technical data

Product series	SPAS-1P	SPAS-2P
Material	Module bearing profiles: Binders: Supports: Screws / nuts:	Hot-dip galvanized steel Hot-dip galvanized steel Hot-dip galvanized steel 304 stainless steel
PV Module	Framed or unframed	
Module Layout	One row, up to approx. 25m (82ft)	Two rows, up to approx. 25m (82ft)
Module Numbers	25 pieces of PV module.1960x992x50	50 pieces of PV module.1960x992x50
Module inclination	15°, 20°, 25°, 30°, 35°	
Ground clearance	30-90cm (12-35in)	
Basement	Embedment in soil	
Span	4.1M (13.45ft)	
Girder	Rectangular steel, hot-dip galvanized	
Purlin	Rectangular steel, hot-dip galvanized	
Fastener	304 Stainless Steel	
Color	Mill finish	
Maximum wind load	134Km/h (90mph)	
Maximum snow load	0.6KN/M ² (13kPa/psf ²)	
Design capacity	about 7.5kW	about 15kW
Standards	International Building Code IBC2009, ANSI/AISC 360-05, ASCE/SEI 7-10, ACI 318-08	
Structural analysis	According to current national standards. Structural analysis with specifications on foundation dimensions as well as an anchor recommendation depending on the respective wind and snow loads that have to be considered.	